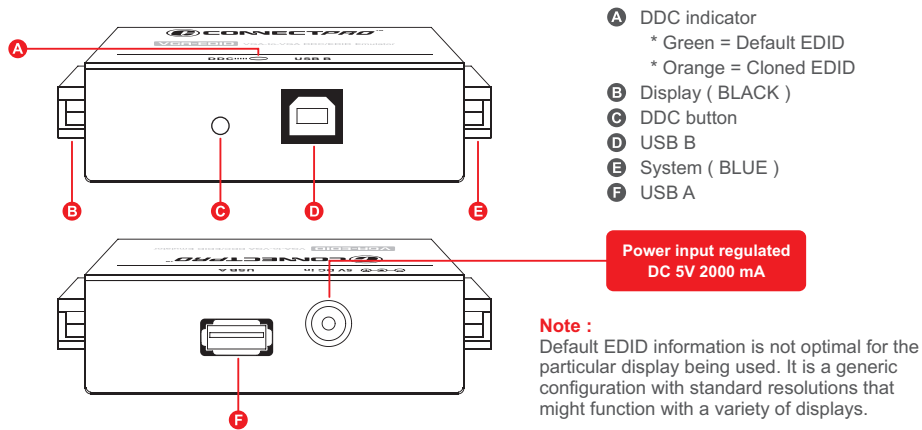


VGA-EDID

VGA-to-VGA DDC/EDID Emulator

Installation Guide

Unit View



Specification

	VGA-EDID
Functional	
Power supply	If required, USB or 5V DC adaptor
Power LED / Default EDID	Green
Clone EDID	Push button switch
Clone indication	Change to Orange color
Resolution	Up to 1920 x 1200@60 Hz
Connectors	HDB-15 Female x 2
Mechanical	
Dimensions H x W x D	22 x 45 x 70 mm (0.87 x 1.77 x 2.76 inch)
Weight	70 g (0.15 lb)
Certification	FCC, CE

Features & Benefits

- Store EDID information for VGA display
- True DDC emulation
 - Support dual page DDC for compatible resolutions
- Standard EDID data
- Installs in seconds
 - Easy and Compact design for installation and operation
- Interface Powered by VGA connector pin 9 or Optional external supply by USB connector or 5V power supply
- Full EDID Cloning
- Default and Cloned EDID data selectable

Installation

To use cloned EDID information (Orange light means " Cloned ")



Connect VGA cable between system and blue VGA port

Special note :

In the majority of cases, the emulator should be used in "clone" mode to provide optimal display settings for the display being used. In the event that this is not possible (the display does not provide DDC/EDID information, or it is otherwise not possible), the emulator should be used in default mode. The EDID information used in default mode is not for optimal viewing, but rather to still provide a stable operating environment.

To use default EDID information (Green light means " Default ")



If power is unavailable from the computer via the VGA pin 9, connect the optional DC 5V power adaptor or USB cable

Connect VGA cable from display to black VGA port

Connect VGA cable between system and blue VGA port

Application Connection Diagram

Step 1

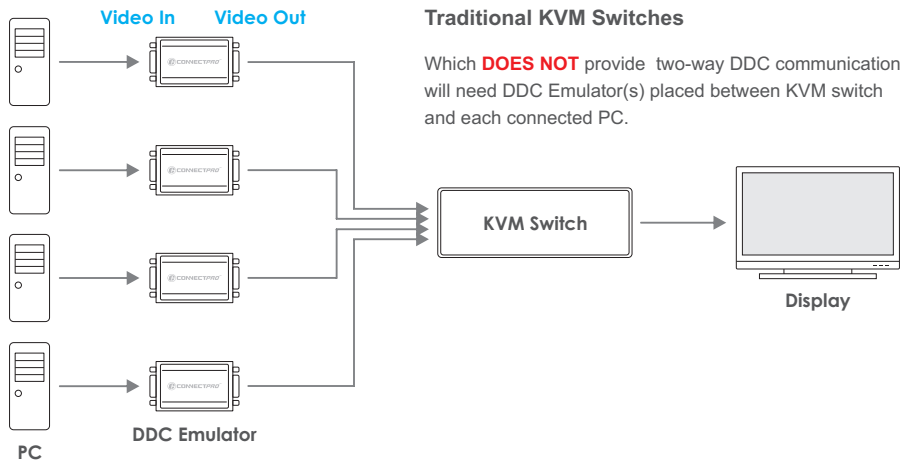
To clone EDID information first. Connect emulator to the monitor.



Special note:

emulator's power supply has to be connected via DC jack or USB-A/B first

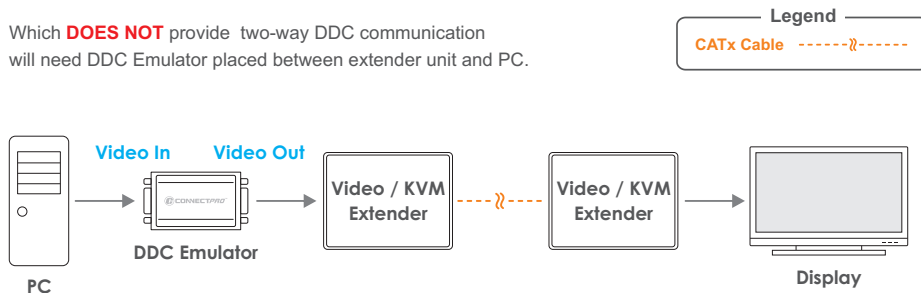
Step 2 for KVM



Step 2 for Video / KVM extender

Old Video or KVM extender

Which **DOES NOT** provide two-way DDC communication will need DDC Emulator placed between extender unit and PC.



Ordering Information

Model	Description
VGA-EDID	VGA-to-VGA DDC/EDID Emulator
Optional part / accessory	
Cables	
UC-AB-04	4-ft USB A-to-B cable
CMV-202-01	1-ft Male-to-Male VGA cable
Power Adaptor	
3A-111WX05	Power supply DC 5V (2000 mA) - AC 110/220V for USA
	* Any other interface is available upon request



ConnectPRO - USA, Taiwan
www.connectpro.com

Corporate Office

20525 Paseo Del Prado Walnut, CA 91789, USA
Tel +1-909-444-9288 Fax +1-909-444-9289

Design Center and Operational Hubs

7F., No.122, Sec. 1, Sanmin Rd., Banciao City,
Taipei County 220, Taiwan, R.O.C.
Tel +886-2-8964-2700 Fax +886-2-8964-2977